

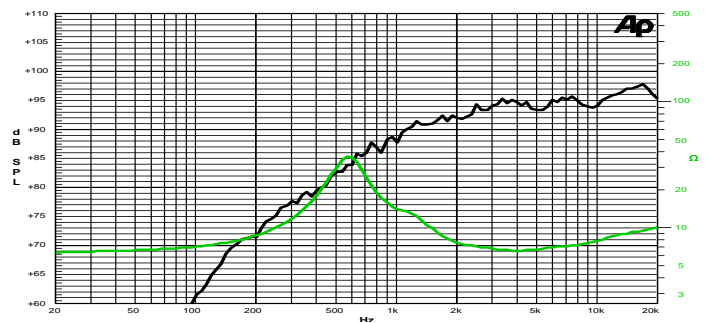
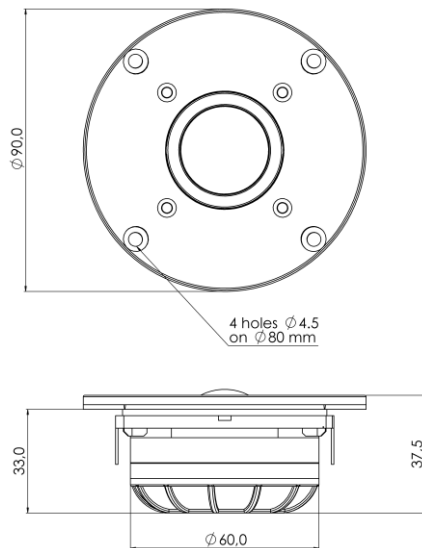
## LP 90.28/N92 TW 8Ω

Dome Tweeter

1,1" | 120 W

Code Z009160

- AIFW** 1,1" voice coil Aluminium former and Aluminium Flat Wire
- TSDD** Treated Silk dome with Additional Damping Treatment
- CRd** Cooling radiator to reduce Power Compression
- DM** Neodymium Magnet Circuit with Damping Material inside
- LFs** Low Resonance, 600 Hz
- Damped rear chamber
- 94.4 dB sensitivity



Frequency Response on IEC Baffle (DIN 45575) @ 1W,1m – Free Air Impedance

### General Specifications

Nominal Diameter	90 mm
Nominal Impedance	8 Ω
Rated Power AES <sup>(1)</sup>	25 W
Continuous Program Power <sup>(2)</sup>	50 W
Rated Noise Power (IEC 60268-5) <sup>(3)</sup>	120 W
Sensitivity @ 1W/1m <sup>(4)</sup>	94.4 dB
Voice Coil Diameter	28 mm (1,1")
Voice Coil Winding Depth	2.7 mm
Magnetic Gap Depth	3.0 mm
Flux Density	1.80 T
DC Resistance	6.0 Ω
Resonance Frequency	0.6 kHz
Magnet Weight	92 g
Net Weight	0.41 kg
Recommended Crossover Frequency	1.5 kHz

### Constructive Characteristics

Magnet	Neodymium
Voice Coil Winding Material	Aluminium Flat Wire
Voice Coil Former Material	Aluminium
Diaphragm	Treated Silk
Ferrofluid in Air Gap	No
Flange	Aluminium
Spare Part Code	Z009405

### Mounting Information

Overall Diameter	90 mm
Baffle Cutout Diameter	67 mm
Mounting Holes	4 holes ø4,5 on ø80 mm
Total Depth	37.5 mm

(1) Rated Power measured with 2-hour test with pink noise signal, 6dB crest factor. (2) Power on Continuous Program is defined as 3dB greater than the Rated Power. (3) Rated Noise Power measured with 100 hours test pink noise, 6 dB crest factor IFC60268-5 filtering. (4) Measured at 1W, 1m in axis within the frequency range